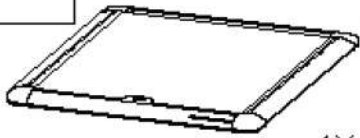
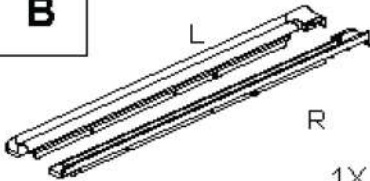
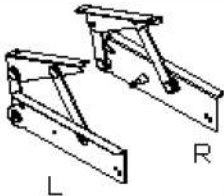



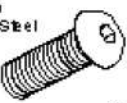




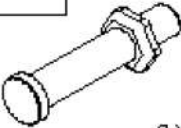
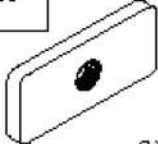
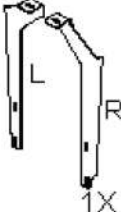
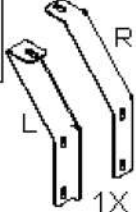


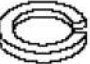


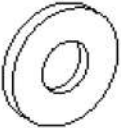

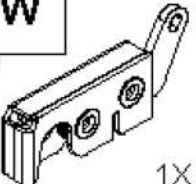
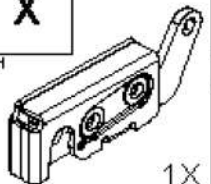


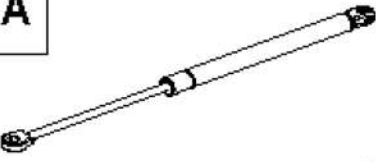
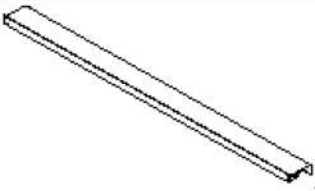

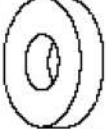


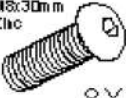


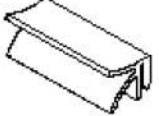
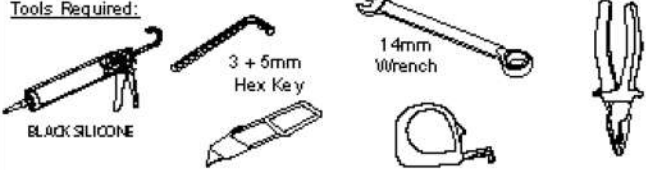
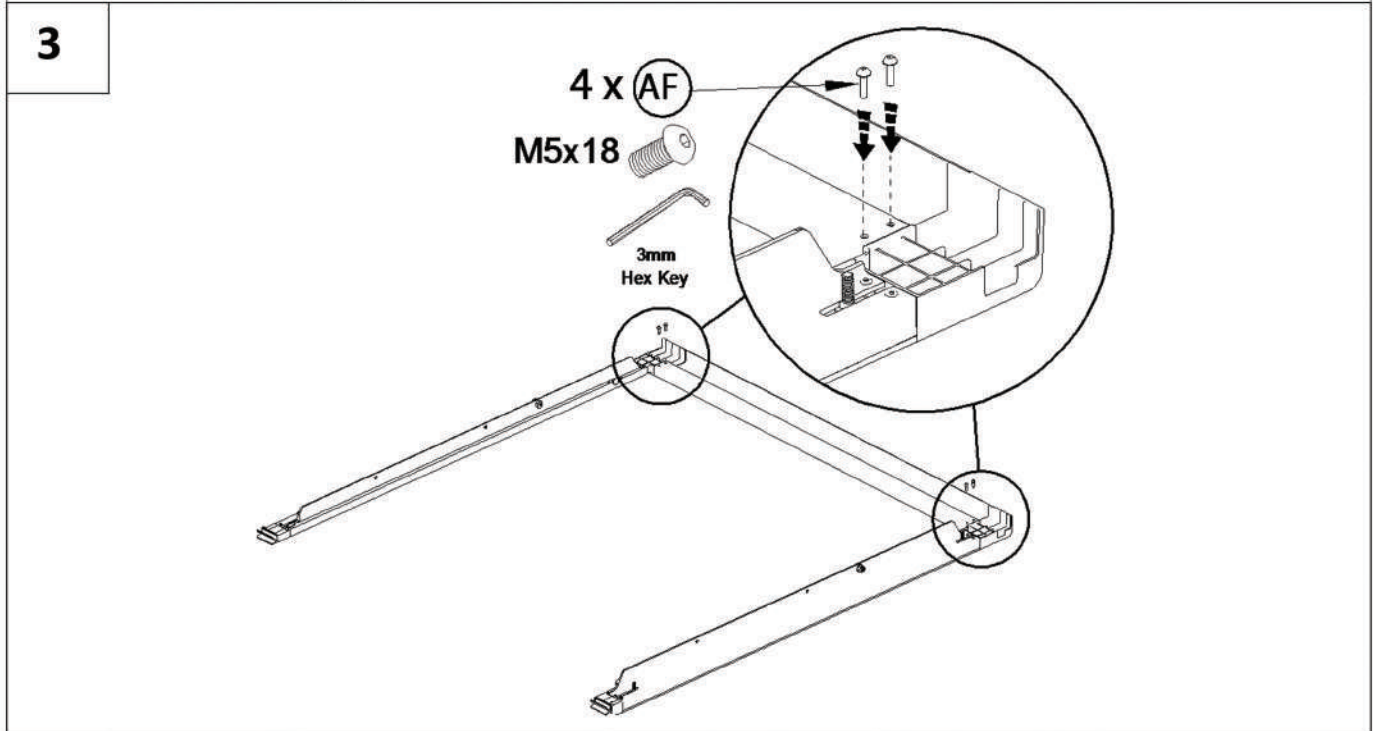
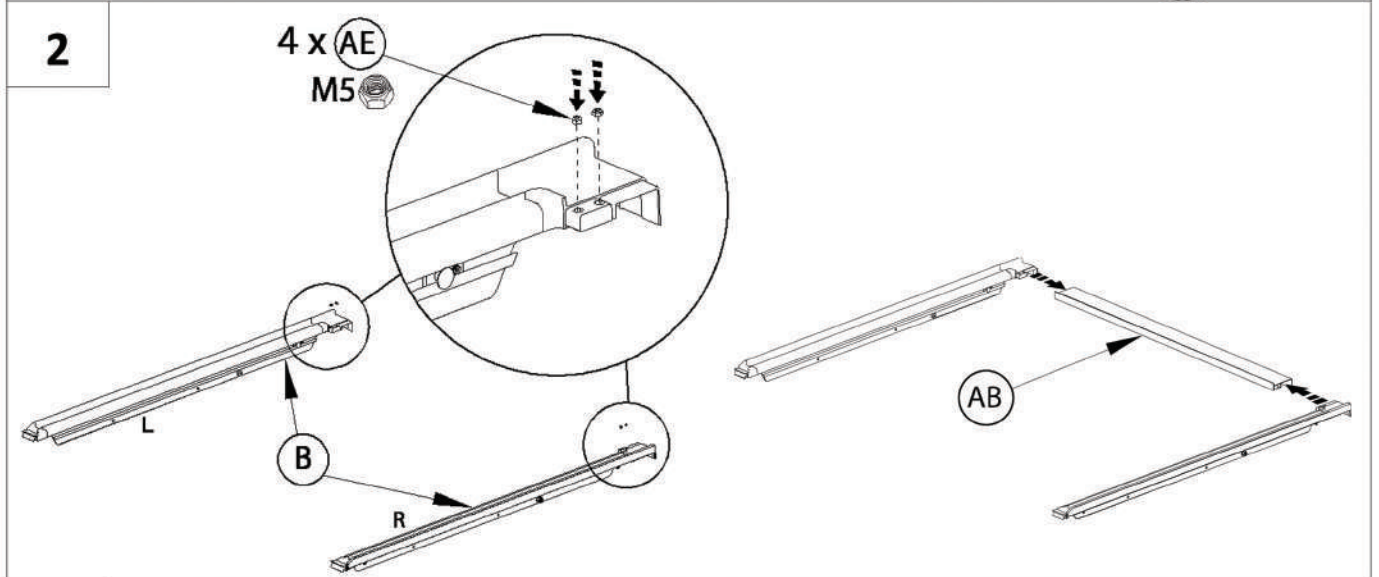
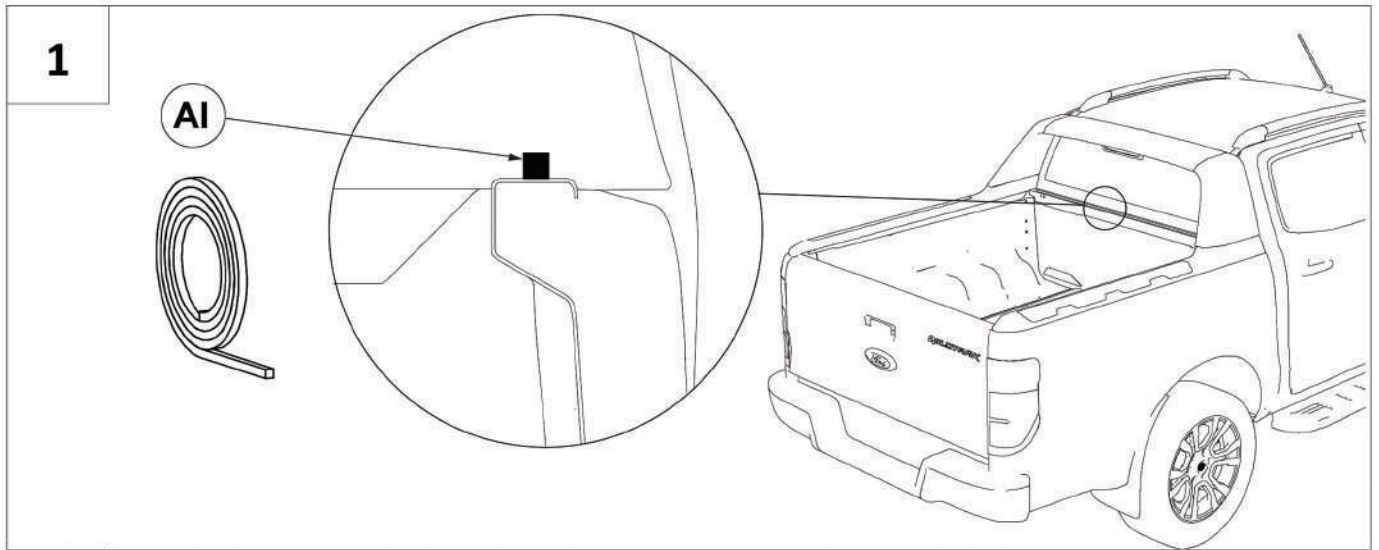


UpStoneEvolve

SAILPLANE LID INSTALATION MANUAL

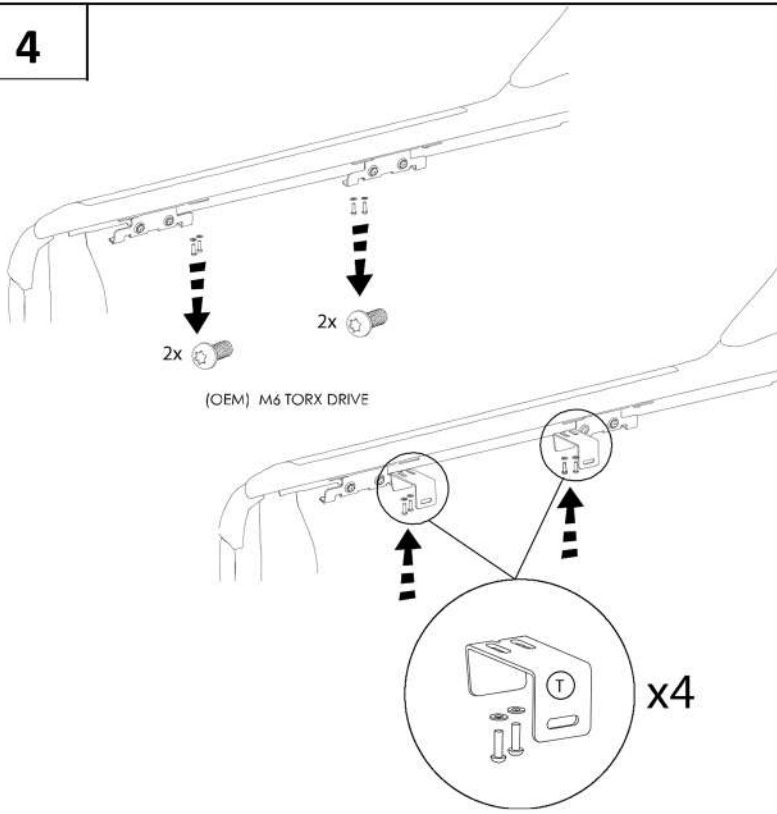
FORD WILDTRAK 2011+
EVOS900

A  1X	B  L R 1X	C  L R 1X	D  2X		
E  2X	F  4X	G M8x20mm Stainless Steel  4X	H M8 x16 Stainless Steel  8X	I  2X	J M8 Nylock Stainless Steel  4X
K M8 Stainless Steel Spring Washer  2X	L  2X	M  2X	N  L R 1X	O  L R 1X	P M6x18  16X
Q M6x13mm Zinc  12X	R M6x10mm  12X	S  2X	T  4X	U M10x24mm  4X	V M8 x16 Zinc Washer  12X
W RH  1X	X LH  1X	Y M5 Cable Bolt, Washer & Dome Nut  2X	Z  2X	AA  2X	
AB  1X	AC  2X	AD M8 SS SPACER  2X	AE M8 Nylock Zinc  4X	AF M5x18 Zinc  4X	AG M8x30mm Zinc  8X
AH M8 Nylock Zinc  X8	AI 10x10mm 	AJ  2X	<p>Note: If at any stage of installation you find your Aluminium Tonneau Cover to be an unacceptable fit please contact the manufacturer before continuing.</p> <p>Tools Required:</p>  <p>BLACK SILICONE 3 + 5mm Hex Key 14mm Wrench</p>		
Fitting Kit Number EVOS900	Product UpStone Sailplane Lid	Revision 1	Date 10.04.2018	Page 1 of 8	

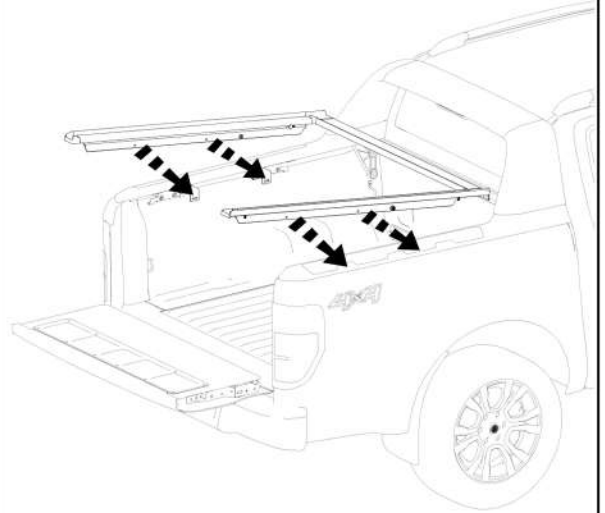


Fitting Kit Number	Product	Revision	Date	Page
EVOS900	UpStone Sailplane Lid	1	10.04.2018	2 of 8

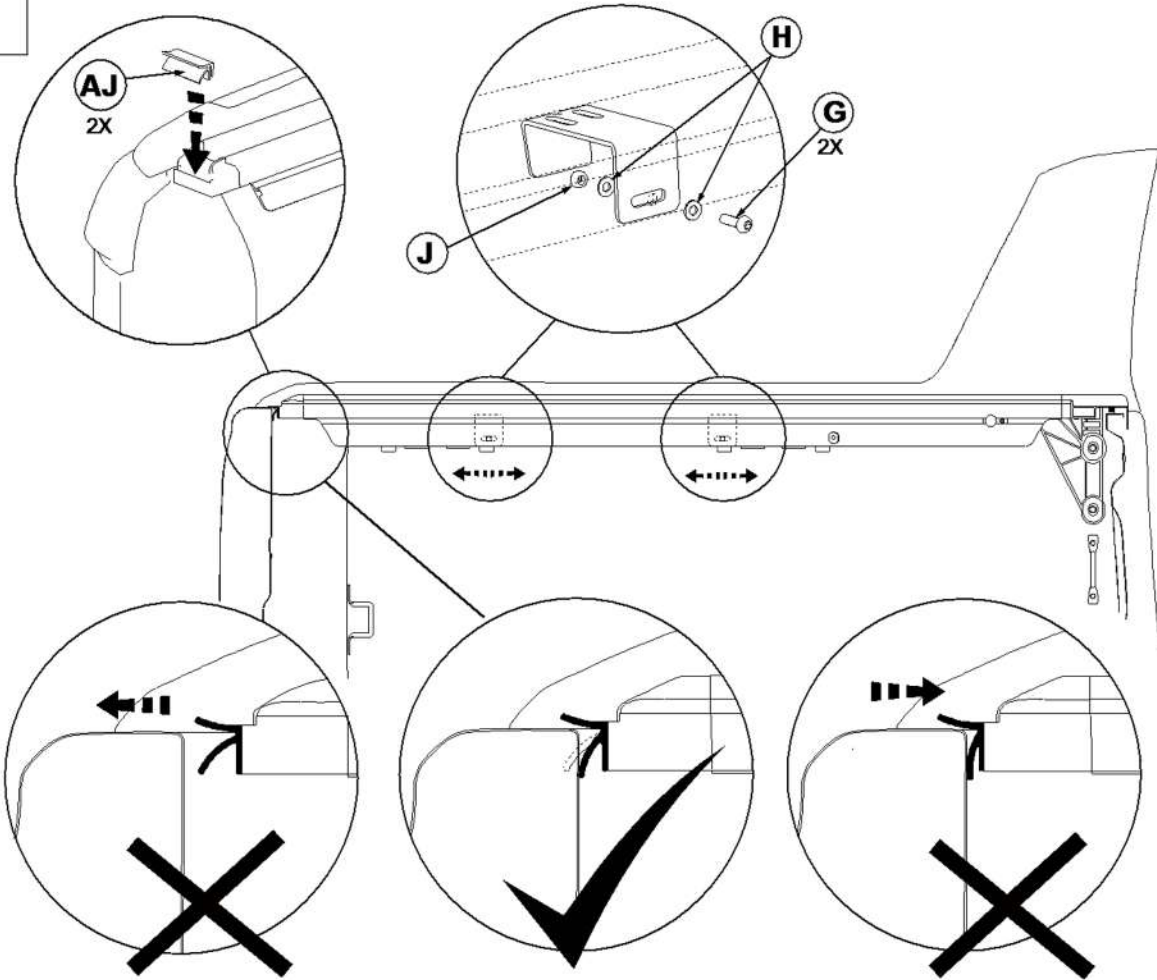
4



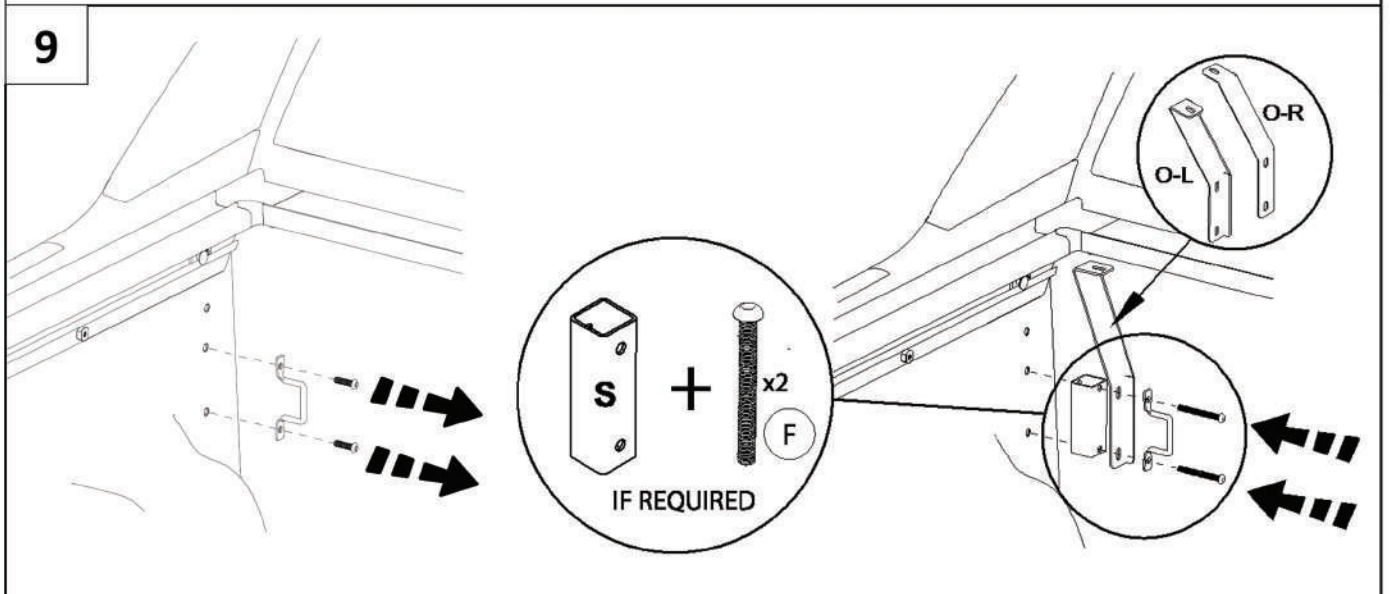
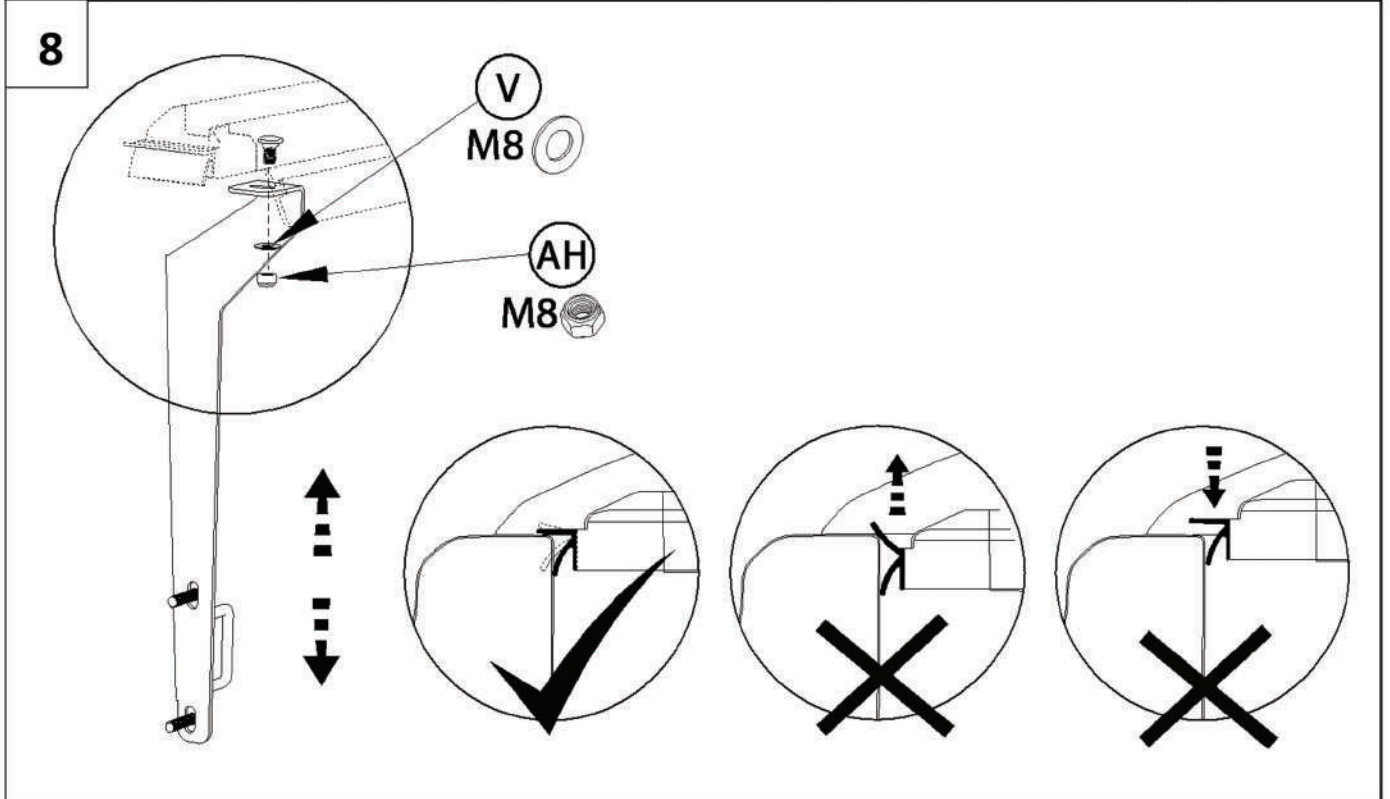
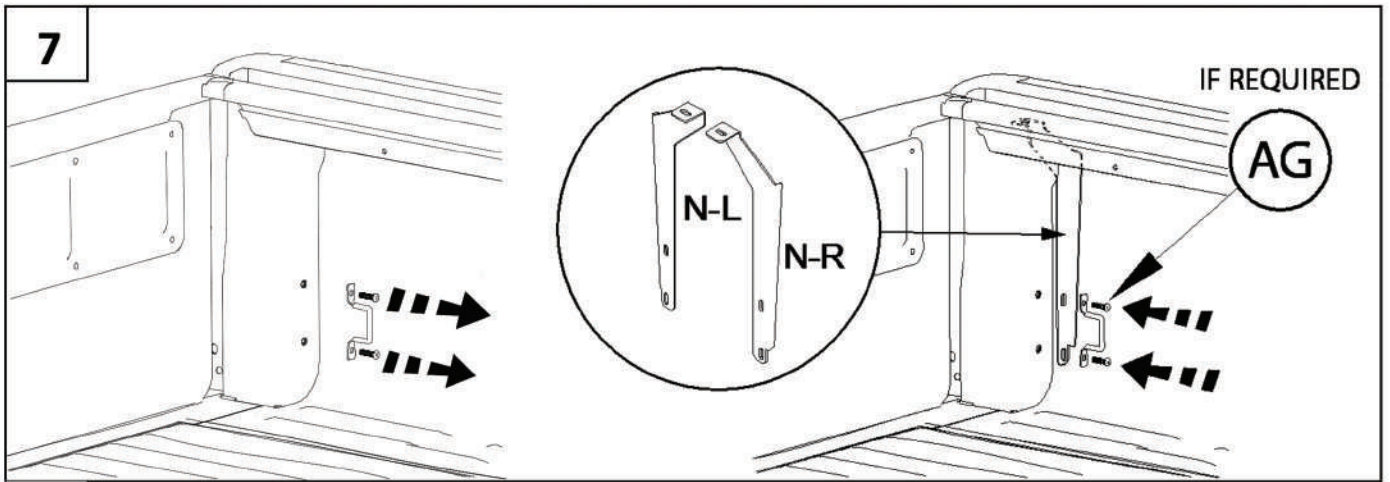
5



6

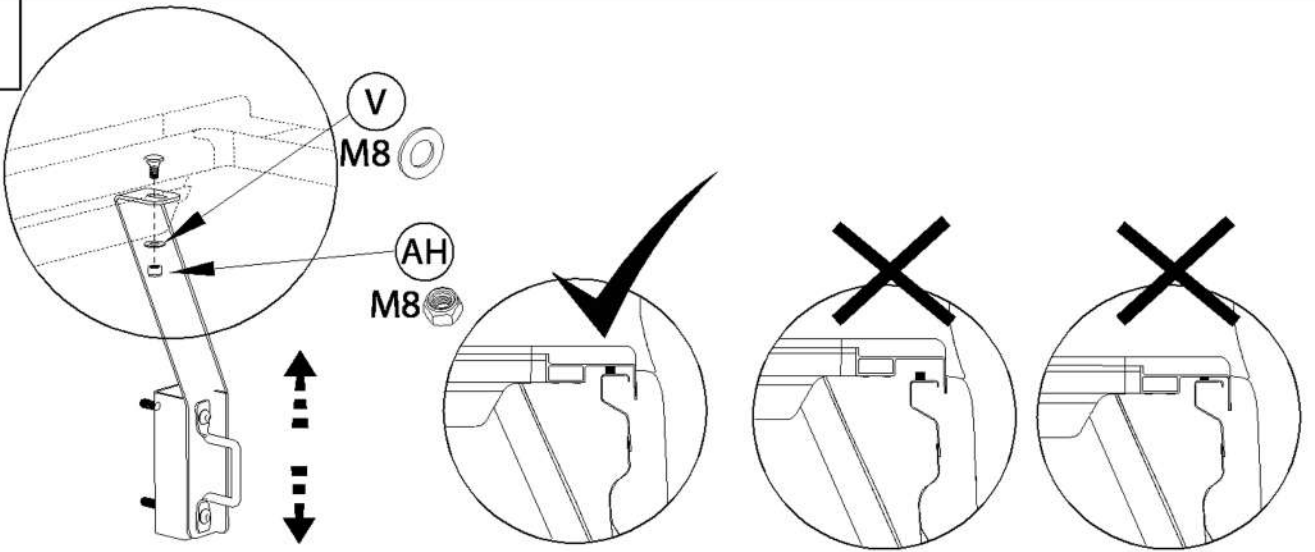


Fitting Kit Number	Product	Revision	Date	Page
EVOS900	UpStone Sailplane Lid	1	10.04.2018	3 of 8

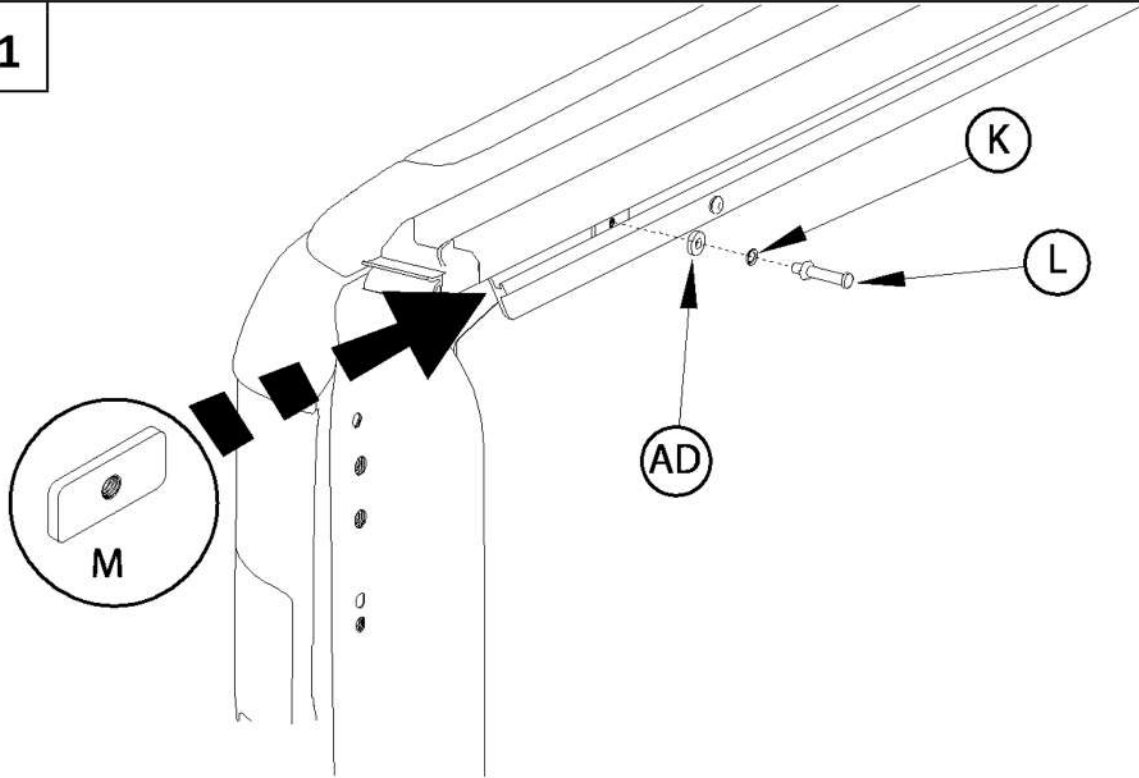


Fitting Kit Number	Product	Revision	Date	Page
EVOS900	UpStone Sailplane Lid	1	10.06.2018	4 of 8

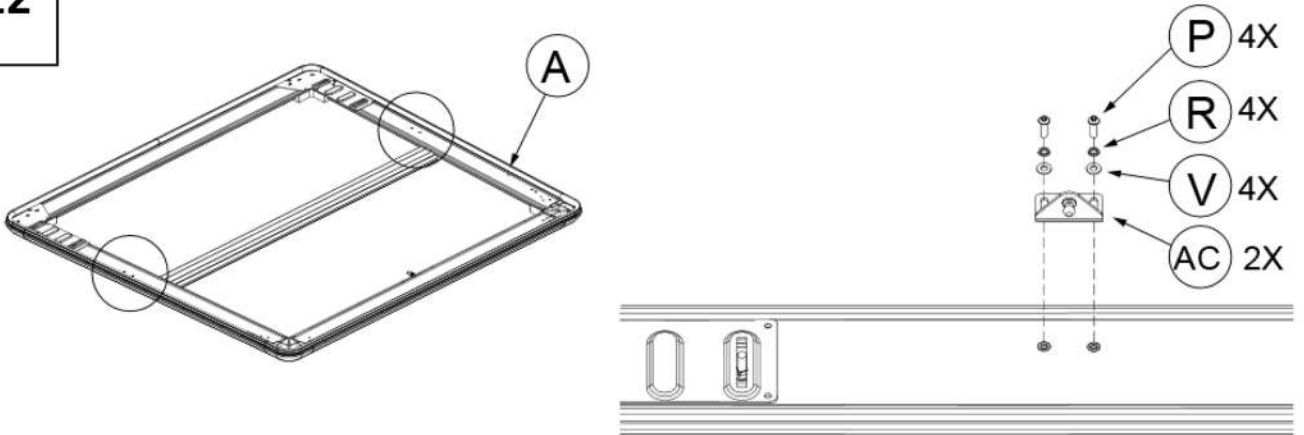
10



11

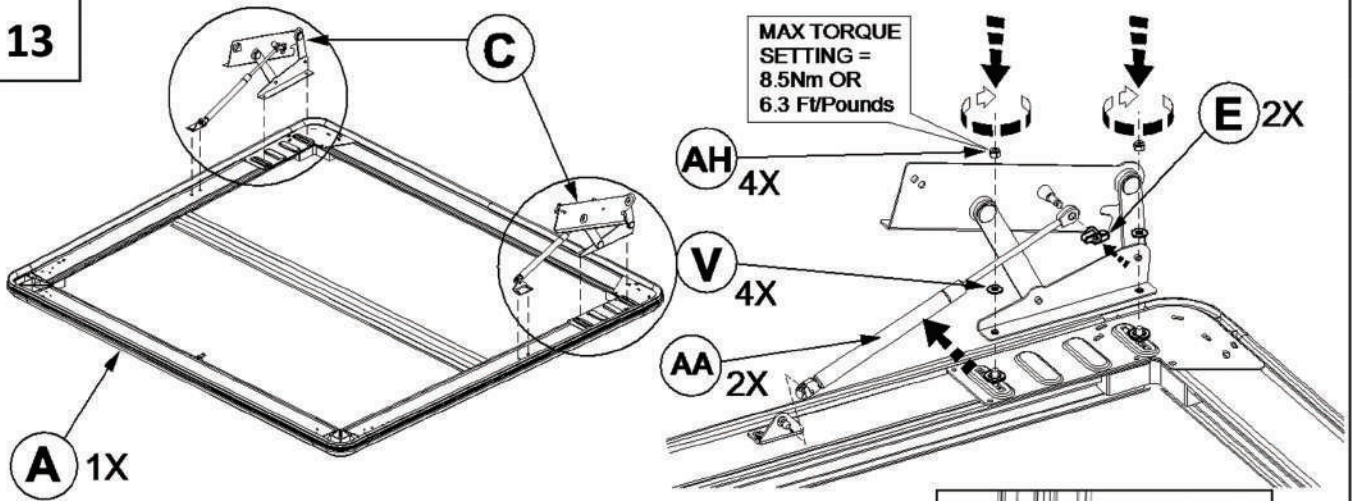


12

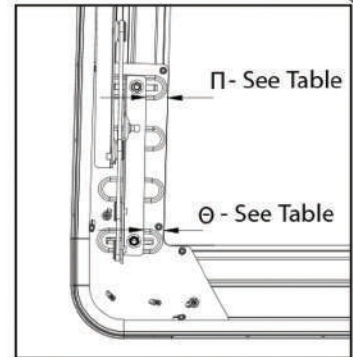


Fitting Kit Number	Product	Revision	Date	Page
EVOS900	UpStone Sailplane Lid	1	10.06.2018	5 of 8

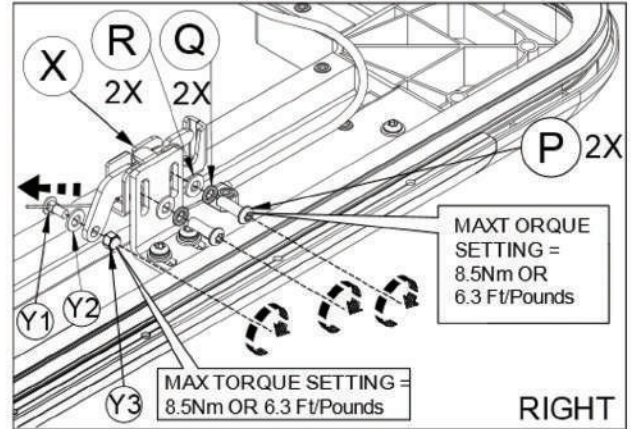
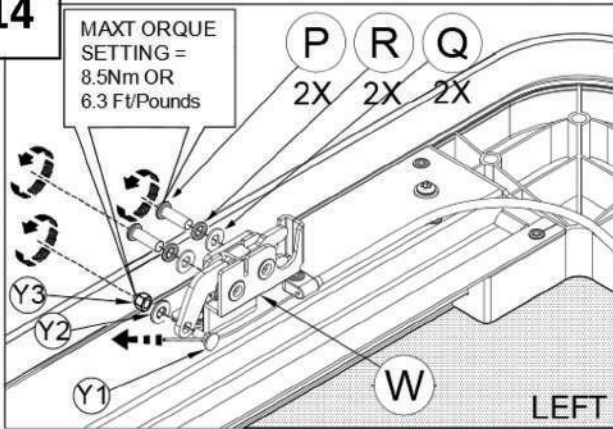
13



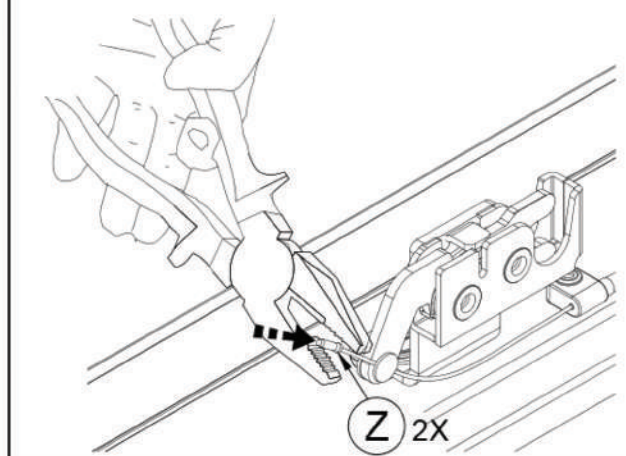
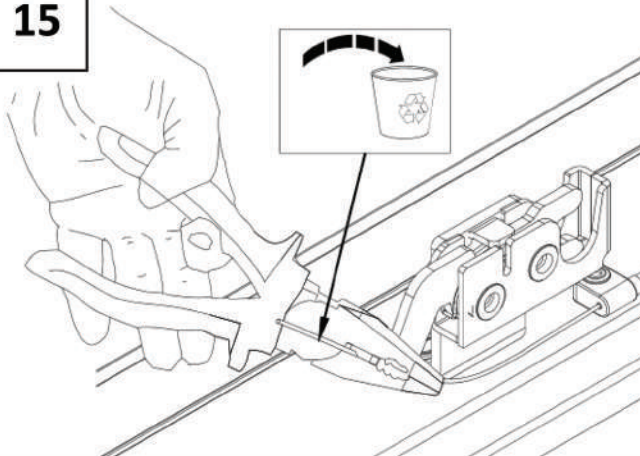
Vehicle Model	Π	Θ	Σ
	mm	mm	-
Ford Ranger Wildtrak DC 2011+	25.5	25.5	0



14

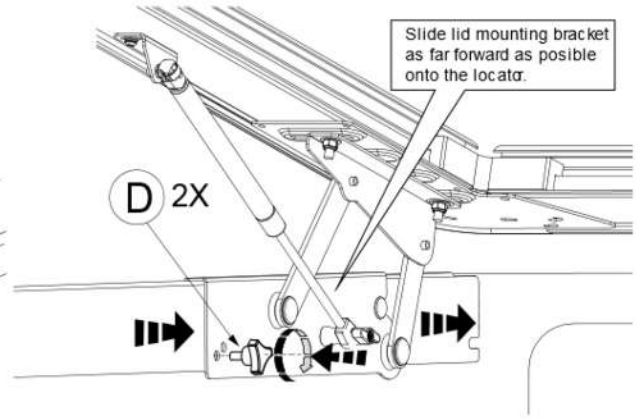
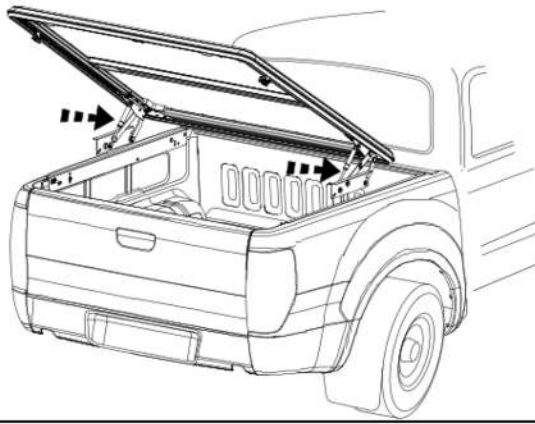


15

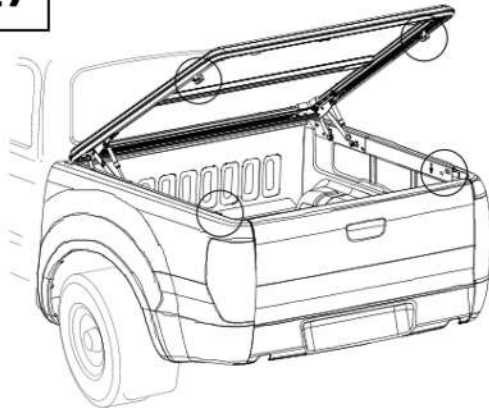


Fitting Kit Number	Product	Revision	Date	Page
EVOS900	UpStone Sailplane Lid	1	10.04.2018	6 of 8

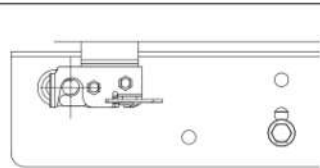
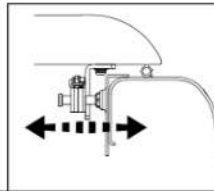
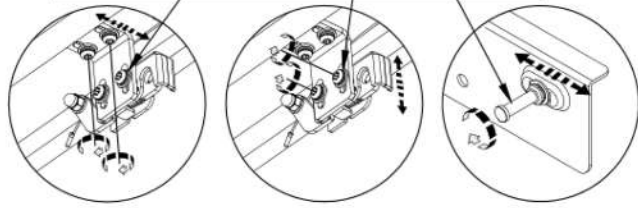
16



17

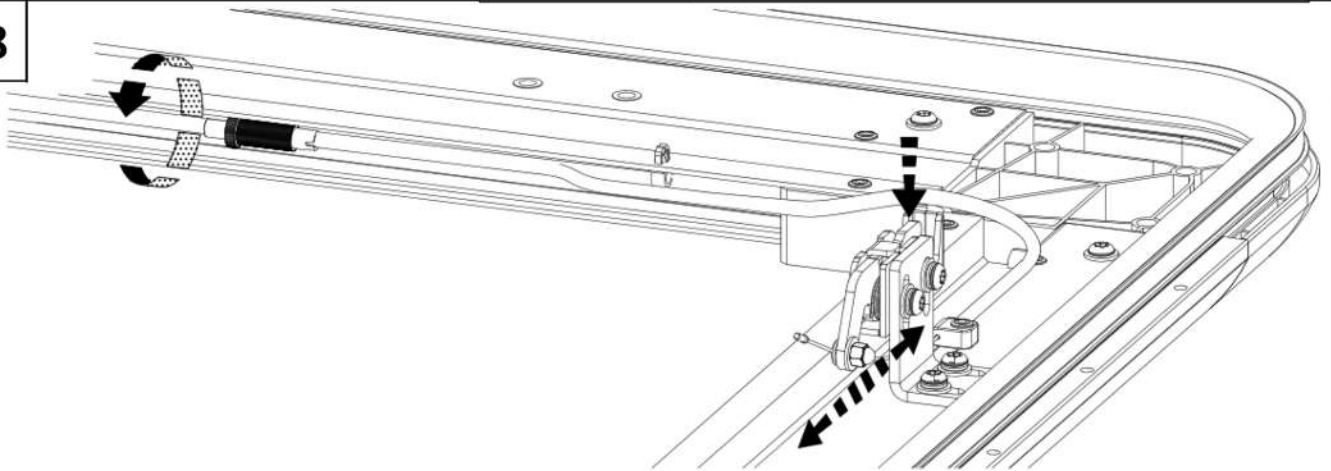


MAX TORQUE SETTING = 8.5Nm OR 6.3 Ft/Pounds



Adjust latch bracket, latch height and pin location to align pin with centre of latch. Adjust cable tension to achieve correct latching. **IMPOR TANT!** : Ensure seal contacts vehicle in all areas

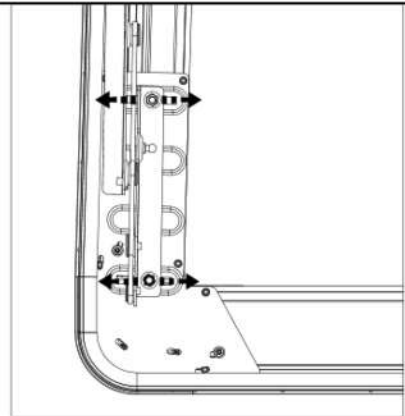
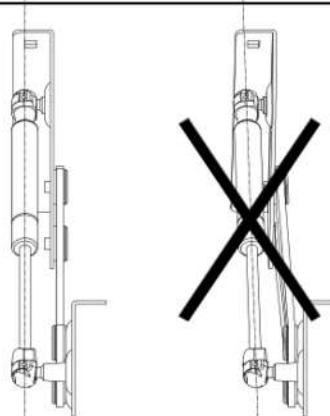
18



19



Insure hinge is not twisted. Adjust connection to lid if nessessary.



Fitting Kit Number	Product	Revision	Date	Page
EVOS900	UpStone Sailplane Lid	1	10.04.2018	7 of 8

After installation carefully and thoroughly clean all debris from the inside of the cargo box.
Retain these instructions for future reference

**CAUTION!**

- NEVER allow people or animals under the closed cover
- Do not place unsealed solvents or chemicals under the cover
- Do not stand or place heavy objects on the cover
- Do not open lid when under load.
- Close the cover before operating the vehicle
- Do not allow oil, solvents or chemicals to contact the cover
- Clean only with a mild detergent and water solution

UpStoneEvolve

Info@upstone.fr

Fitting Kit Number	Product	Revision	Date	Page
EVOS900	UpStone Sailplane Lid	1	10.04.2018	8 of 8